



100BM66D

100" 4K UHD DIGITAL SIGNAGE DISPLAY

Hisense Commercial Display solutions are perfect for high volume retail and corporate installation. A combination of seamless design and enhanced brightness ensure digital content vividly stands out from the crowd. The Hisense M Series display delivers 500 nits brightness for enhanced visibility in brightly lit environments. This higher brightness helps Hisense Commercial Displays provide better colour accuracy and vibrancy, meaning colours appear more lifelike and true to their intended experience, creating a more immersive viewing experience. Hisense M Series display are engineered for 24/7 operation, making them ideal for mission critical environments with zero downtime required. Our latest 100" large format display is perfect for any environment where high impact communication is required.

Highlights



Wireless Screen Sharing

Everything you need for screen sharing solutions. Hisense Share is a in house built-in screen sharing application that enables the screen sharing wirelessly and seamlessly from any devices, anytime, anywhere.



Landscape & portrait

Supports both landscape and portrait orientations. Providing you with endless creative and functional possibilities to fulfil your commercial or informative goals.



Smart Power

A built-in ambient light sensor automatically adjusts the screen brightness according to current light conditions. This display is Energy Star certified to help you protect the environment and save costs.



Content Management System

VisionInfo is a cloud-based digital signage software solution which is flexible, cost-effective, and scalable in its nature. This will give you the freedom to add content as often as you'd like and make sure it looks great across all devices.



Round-the-clock operation

Designed with dual-core System on Chip (SoC) technology, BM series is a reliable digital signage for presenting both offline and cloud based content without disruption or downtime.



4K Ultra HD

Delivers superior resolution that allows more details to be displayed on an image. The materials, the textures, the skin texture and the backgrounds: everything is richer and more realistic.



500 nits

With 500 nits maximum brightness the display panels can deliver amazingly vivid imagery anywhere during daytime and nighttime conditions.



Anti-Glare Coating

Offers higher haze value that helps with reflections without notably affecting the image quality.



Specifications

Digital Display Panel

Backlight	DLED
Panel Type	VA
Size	100"
Resolution	3840 x 2160
Refresh rate	120Hz
Color	1.07B
Brightness	500nits
Contrast(typ)	5000:1 (typ)
Response time(typ)	8ms
Viewing angle(Min.)	178°/178°
Color gamut	90% DCI-P3
Haze	25%
Orientation	Landscape & Portrait
Lifetime	50,000 hrs
Operation Hours	7Day x 24Hour

Power

Input	AC 100~240V (50/60Hz)
Power Consumption	500W (Max)
Standby consumption	<0.5W

Physical

Bezel Color	Black
Set Dimension(W×H×D)	2234.6 × 1276.2 × 86.5mm 88 × 50.2 × 3.4inch
Bezel width(T/L/R/B)	13.2mm(T/L/R), 19mm(B)
Net Weight	59.6kg / 131.4lbs
Packing Dimension (W×H×D)	2496 × 1500 × 325mm 98.3 × 59.1 × 12.8inch
Packed Weight	73.5kg / 162.1lbs
VESA	600mm × 600mm

System

OS	Android 9.0
DDR	2G
ROM	16G
Language	English/Chinese/German/French/Polish

Connectivity

WI-FI	IEEE 802.11a/b/g/n/ac (2.4G & 5G)
Input	HDMI(2.0) IN x 2 DP(1.2a) IN x 1 USB2.0 x 2 RS232 x 1 LAN x 1
Output	HDMI(2.0) OUT x 1 Headphone x 1

Speaker

Built in speaker	15W x 2
------------------	---------

Control Method

Remote	Yes
RS232	Yes

Environment

Temperature	0°~40°C
Humidity	10%~80% RH

What's in the box

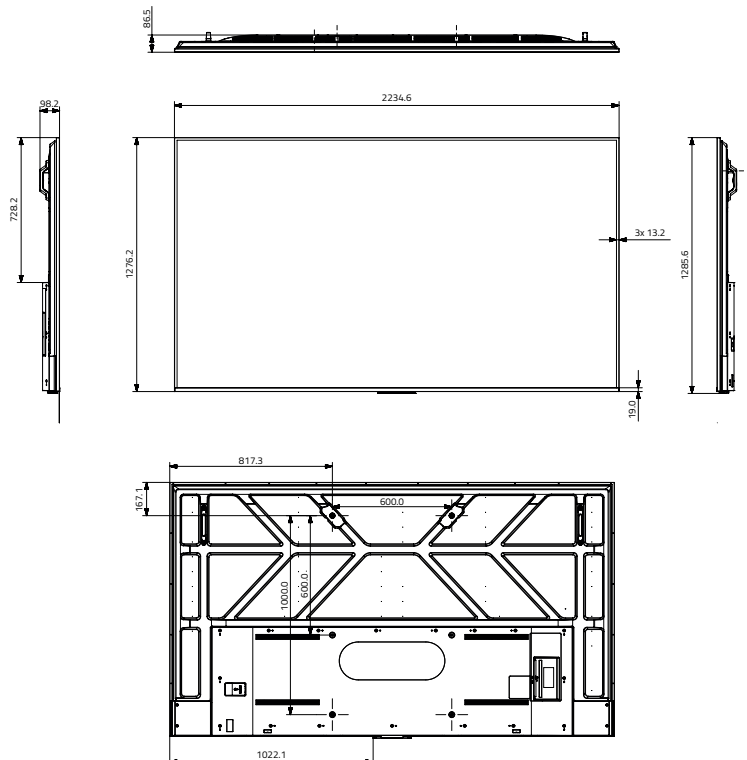
Basic	Power cord Remote control RS232 Cable User Manual Battery
-------	---

Certification

Standard Certification	CB/CE/ERP/FCC/CTUVus/CEC/ UKCA/Energy Star	CB CE ERP
EAN		ENERGY STAR TUV
Energy Efficiency Class	G	

Dimensions

100" 2234.6 x 1276.2 x 86.5mm / 88 x 50.2 x 3.4inch
59.6 kg / 131.4lbs



AZZA SALES (THAILAND) CO., LTD.

5 Borommaratchachonnani 81, Chimplee, Taling Chan, Bangkok 10170

Identification Number : 0105565036975

Tel. 099-151-5951 (Bell)

info@azzasales.com

Agent :